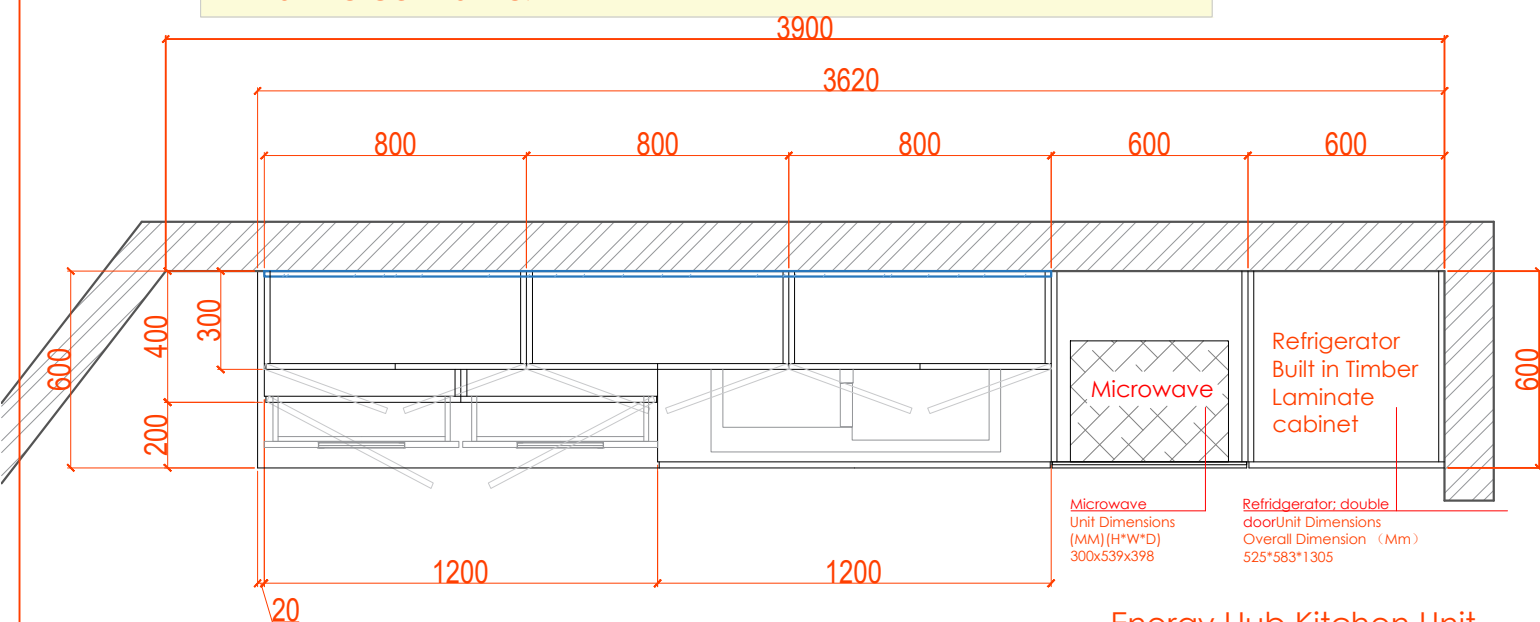


Energy Hub Kitchen Unit (3rd to 13th floor) (excluding appliances)

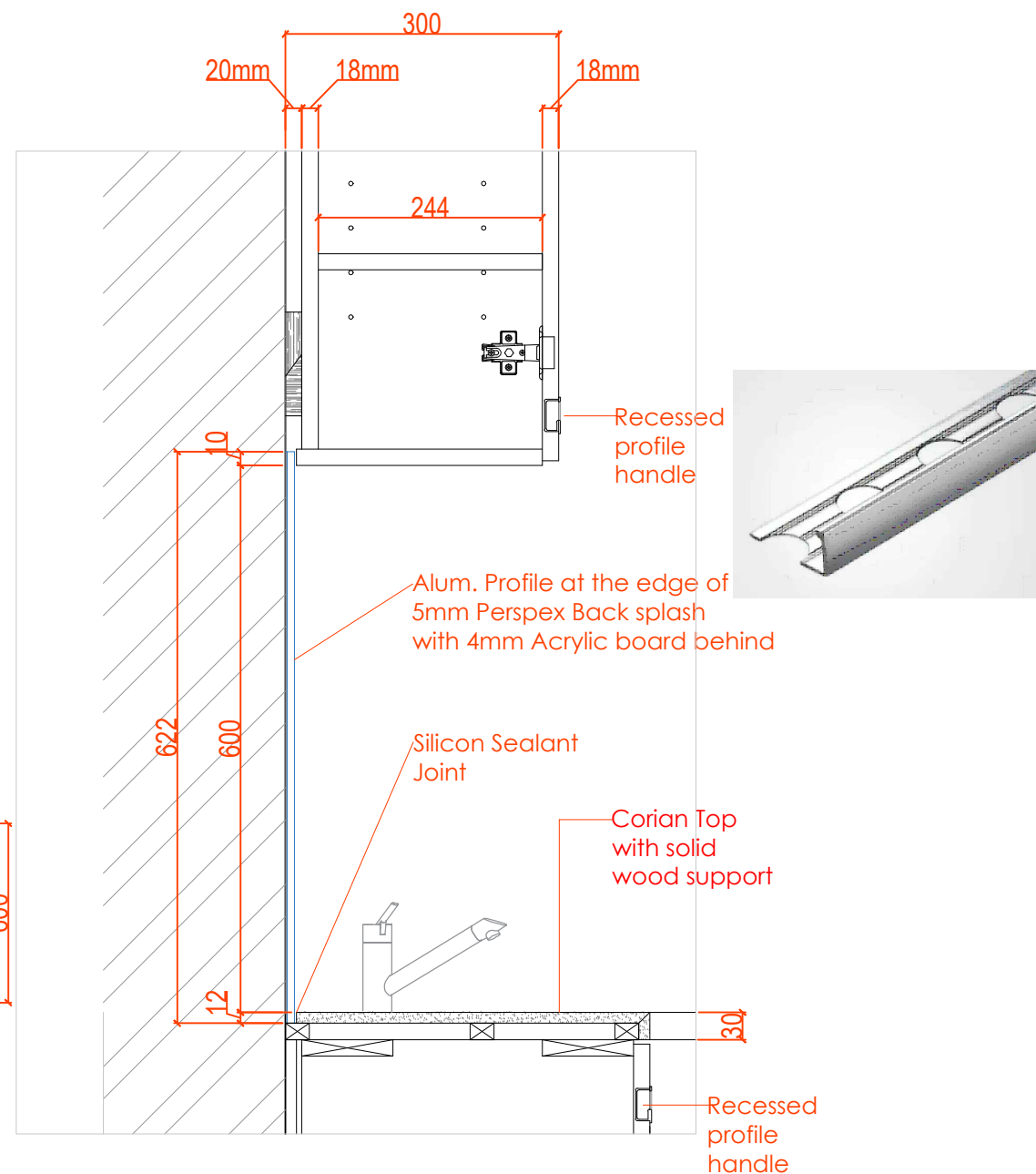
Base cabinet with white corian top, Wall cabinet, Tall unit in laminate finish (Swiss krono Moor Oak) with Perspex Back splash and stainless steel skirting.

ITEM 15 ON THE LIST
QTY 11
ENERGY HUB
(Typical Floor)

FINISHING CODE SW287



Energy Hub Kitchen Unit.
Floor Plan Details



www.wood-styles.com

Copyright of designs shown herein is retained by this office.
Authority is required for any reproduction.
© Copyright Wood-styles Ltd.

Nigeria, Lagos +234 80 9037 9888
Email: info@wood-styles.com

Project
SHELL CW866175
SHELL PROJECT
EAGLE -ALPHA 1 TOWER

Owner

Date	Description
DSD-V1-ID-16/5/2024	- REV1
DSD-V1-ID-10/6/2024	- REV 2
DSD-V1-ID-05/8/2024	- REV 3
DSD-V1-ID- 06/8/2024	- REV 4
DSD-V1-ID- 08/8/2024	- REV 5

FOR APPROVAL

Project No. : ---
Scale : N/A
Drawn by : OBJ
Checked : OBJ
Cad File : CAD_FILE

Sheet title
Energy Hub Kitchen Unit.
Floor Plan and Side Details

Dwg No.	No.
WS-DS-SD-SH-015	SHEET 1



Microwave: 30Ltrs Grill
 Microwave Oven, Silver
 Colour Body, Black Panel,
 Mechanical Control
Microwave
 Unit Dimensions
 (MM) (H*W*D)
 300x539x398

Refridgerator; double
 door Unit Dimensions
 Overall Dimension (Mm)
 525*583*1305

Cabinet with timber laminate
 doors/surfaces and plywood structure;
 magnetic catch,

Recessed
 profile handle
 300mm
 Back Panel

Alum. Profile at the edge of
 5mm Perspex Back splash
 with 4mm Acrylic board behind

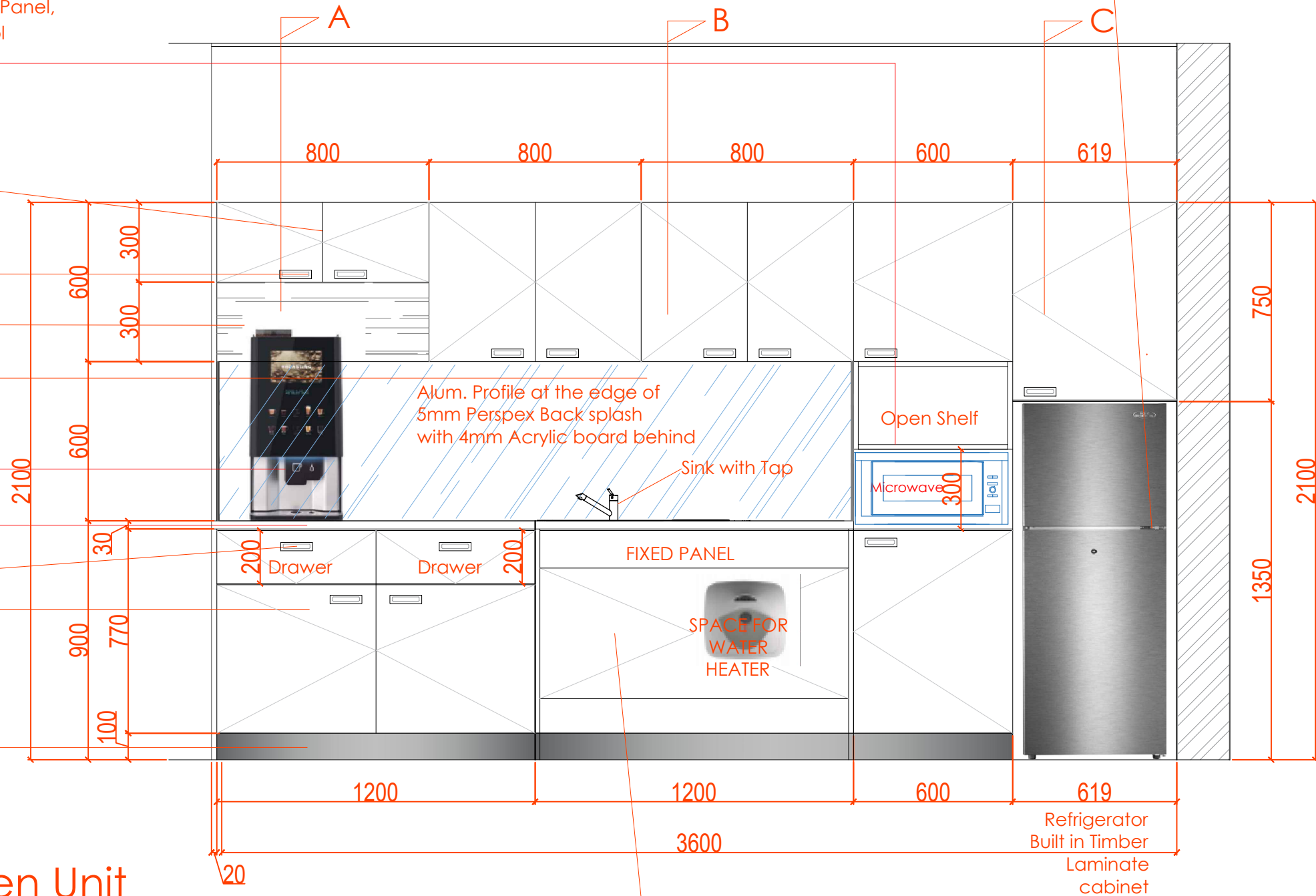
COFFETEK-BOOK-SERIE-
 X-EU-848002911906_Alpha 1

Corian Top

Recessed profile handle

Cabinet with timber laminate
 doors/surfaces and
 plywood structure;
 magnetic catch,

Stainless steel
 skirting with solid
 wood support



Energy Hub Kitchen Unit FRONT ELEV. WITH DOOR Details

REMOVABLE PANEL FOR ACCESS
 BOTTOM OF CABINET TO BE
 PROTECTED WITH ALUMINUM FOIL
 PAD UNDERNEATH

www.wood-styles.com

Copyright of designs shown herein is retained by this office.
 Authority is required for any reproduction.
 © Copyright Wood-styles Ltd.

Nigeria, Lagos +234 80 9037 9888
 Email: info@wood-styles.com

Project
SHELL CW866175
 SHELL PROJECT
 EAGLE -ALPHA 1 TOWER

Owner

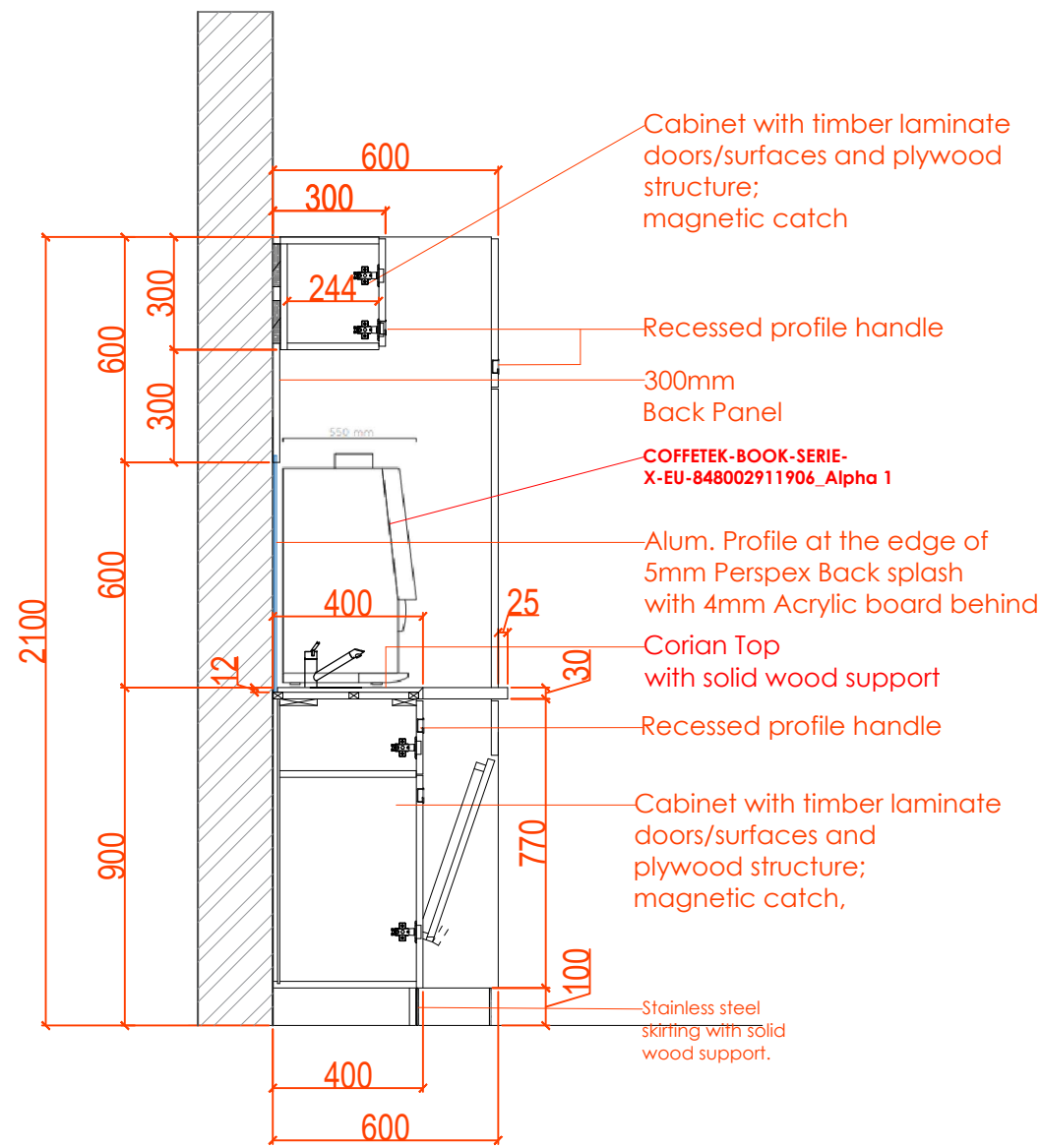
Date	Description
DSD-V1-ID-16/5/2024	- REV1
DSD-V1-ID-10/6/2024	- REV 2
DSD-V1-ID-05/8/2024	- REV 3
DSD-V1-ID-06/8/2024	- REV 4
DSD-V1-ID-08/8/2024	- REV 5

FOR APPROVAL

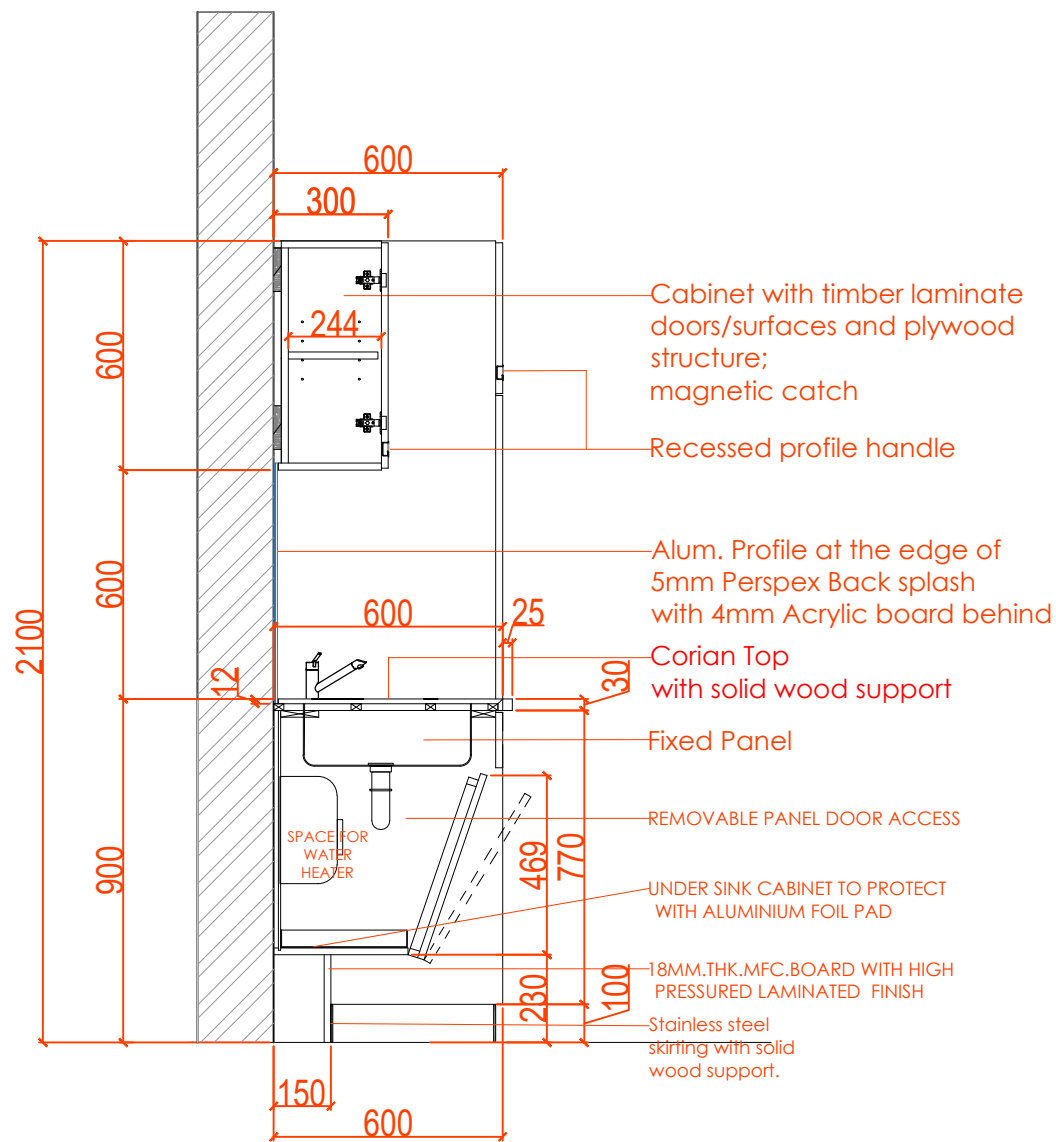
Project No. : ---
 Scale : N/A
 Drawn by : OBJ
 Checked : OBJ
 Cad File : CAD_FILE

Sheet title
Energy Hub Kitchen Unit.
FRONT ELEV. WITH DOOR Details

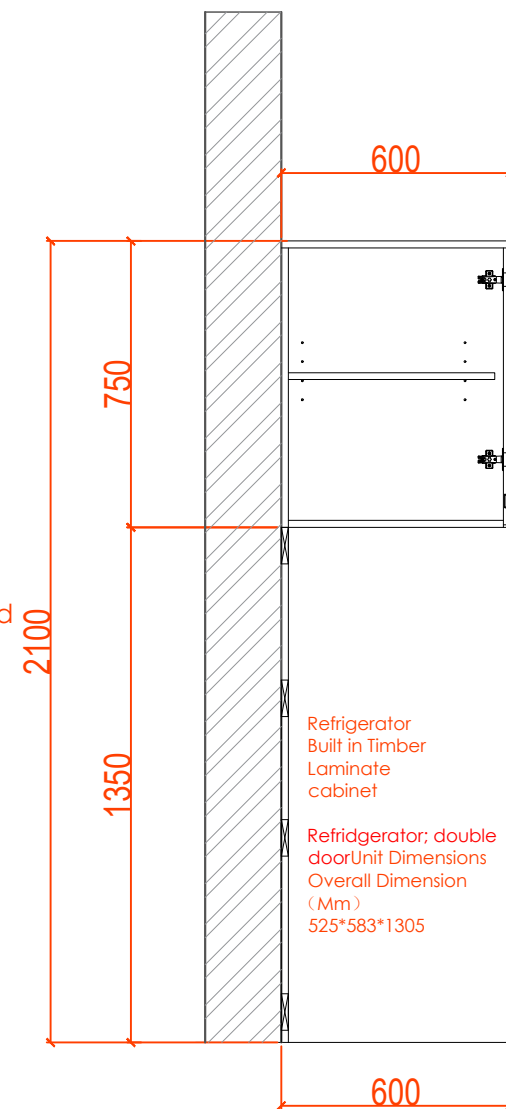
Dwg No. WS-DS-SD-SH-015 No. SHEET 3



Energy Hub Kitchen Unit
SECTIONAL Details-A



Energy Hub Kitchen Unit
SECTIONAL Details-B



Energy Hub Kitchen Unit
SECTIONAL Details-C

www.wood-styles.com

Copyright of designs shown herein is retained by this office. Authority is required for any reproduction. © Copyright Wood-styles Ltd.

Nigeria, Lagos +234 80 9037 9888
Email: info@wood-styles.com

Project
SHELL CW866175
SHELL PROJECT
EAGLE -ALPHA 1 TOWER

Owner

Date	Description
DSD-V1-ID-16/5/2024	- REV1
DSD-V1-ID-10/6/2024	- REV 2
DSD-V1-ID-05/8/2024	- REV 3
DSD-V1-ID- 06/8/2024	- REV 4
DSD-V1-ID- 08/8/2024	- REV 5

FOR APPROVAL

Project No. : --
Scale : N/A
Drawn by : OBJ
Checked : OBJ
Cad File : CAD_FILE

Sheet title
Energy Hub Kitchen Unit.
SECTIONAL Details-A and B

Dwg No. WS-DS-SD-SH-015
No. SHEET 1